

# Pulse Amp Pallet RRP27312K5-30

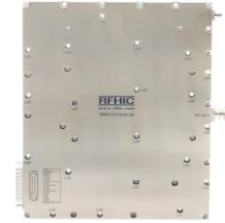


## Product Features

- Frequency from 2.7 ~ 3.1GHz
- GaN HEMT
- 50 Ohm Input/Output impedance
- High efficiency

## Applications

- Radar system



## Description

The is designed for Radar system application frequencies from 2.7 ~ 3.1GHz.

This pulse amplifier uses GaN HEMT technology which performs high breakdown voltage, wide bandwidth, and high efficiency.

## Electrical Specifications @ $V_{DS1}=50V$ , $V_{DS2}=6V$ , $T=25^{\circ}C$ , 50 $\Omega$ System

PARAMETER	UNIT	MIN	TYP	MAX	SYMBOL
Operating Frequency	MHz	2700	-	3100	$f_o$
Operating Bandwidth	MHz	-	400	-	BW
Output Pulse Power	W	2500	2800	-	$P_o$
Input Pulse Power	dBm	-	34.5	-	$P_i$
Power Gain	dB	-	30	-	$G_p$
Gain Flatness	dB	-	-	$\pm 0.5$	$\Delta G_p$
Duty Cycle	%	-	5	10	DC
Pulse Width	us	1	50	100	PW
Efficiency	%	35	40	-	$E_{if}$
Amplitude Pulse Droop	dB	-	0.5	1.0	Droop
Harmonics 1 to N	dBc	40	-	-	$H_N$
Spurious Level	dBc	60	-	-	Spur
Rise Time	ns	-	-	100	$t_r$
Fall Time	ns	-	-	100	$t_f$
Input VSWR	dB	-	-	1.5:1	VSWR
Output VSWR	dB	-	-	1.5:1	VSWR
Switching Time	us	-	-	0.5	$t_{sw}$
Phase Deviation	$^{\circ}$	-20	-	20	$\Delta\phi$

\* Test Pulse conditions = 100us, 10%

\* Custom design available

## Absolute Maximum Ratings

PARAMETER	UNIT	RATING	SYMBOL
Operating Flange Temperature	$^{\circ}C$	-20 ~ 85	$T_c$
Storage Temperature	$^{\circ}C$	-40 ~ 125	$T_{STG}$

# Pulse Amp Pallet RRP27312K5-30



## Operating Voltages

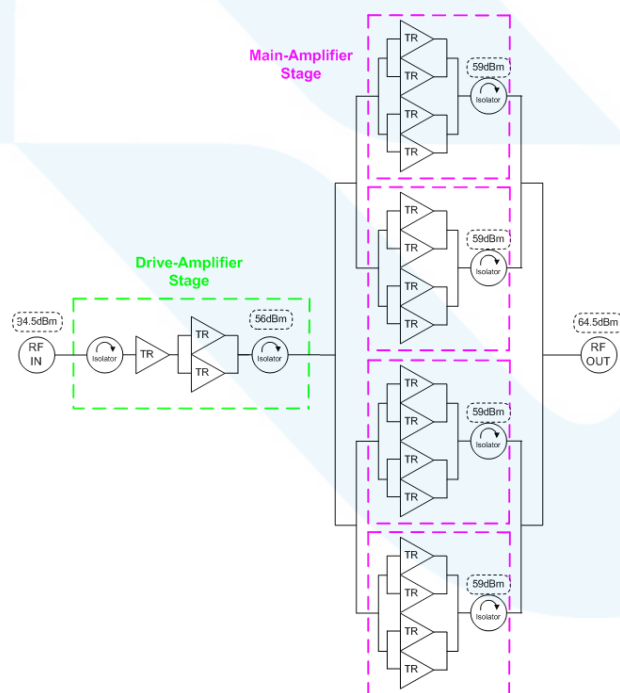
PARAMETER	UNIT	NOMINAL VOLTAGE	VOLTAGE ACCURACY	SYMBOL
Drain-Source Voltage	V	50	± 2%	V <sub>DS1</sub>
Drain-Source Sub Voltage	V	6	± 2%	V <sub>DS2</sub>
Shutdown Voltage	V	TTL Low(0V) : PA OFF, TTL High(5V) : PA ON		V <sub>DC1</sub>
On/Off Control Voltage	V	TTL Low(0V) : PA OFF, TTL High(5V) : PA ON		V <sub>DC2</sub>
Peak Monitor Voltage	V	1.7V@2.9GHz, 64dBm (dB/20mV)		
Temp Monitor Voltage	V	0.75V@25°C (1°C/0.01V)		

## Power Supply

PARAMETER	UNIT	MIN	TYP	MAX	SYMBOL
Drain-Source Current(AVG)	A	-	14	16	I <sub>DS1</sub>
Drain-Source Sub Current(AVG)	mA	-	50	100	I <sub>DS2</sub>

\* Duty Cycle 10%, Pulse Width 100us

## Block diagram



## Mechanical Specifications

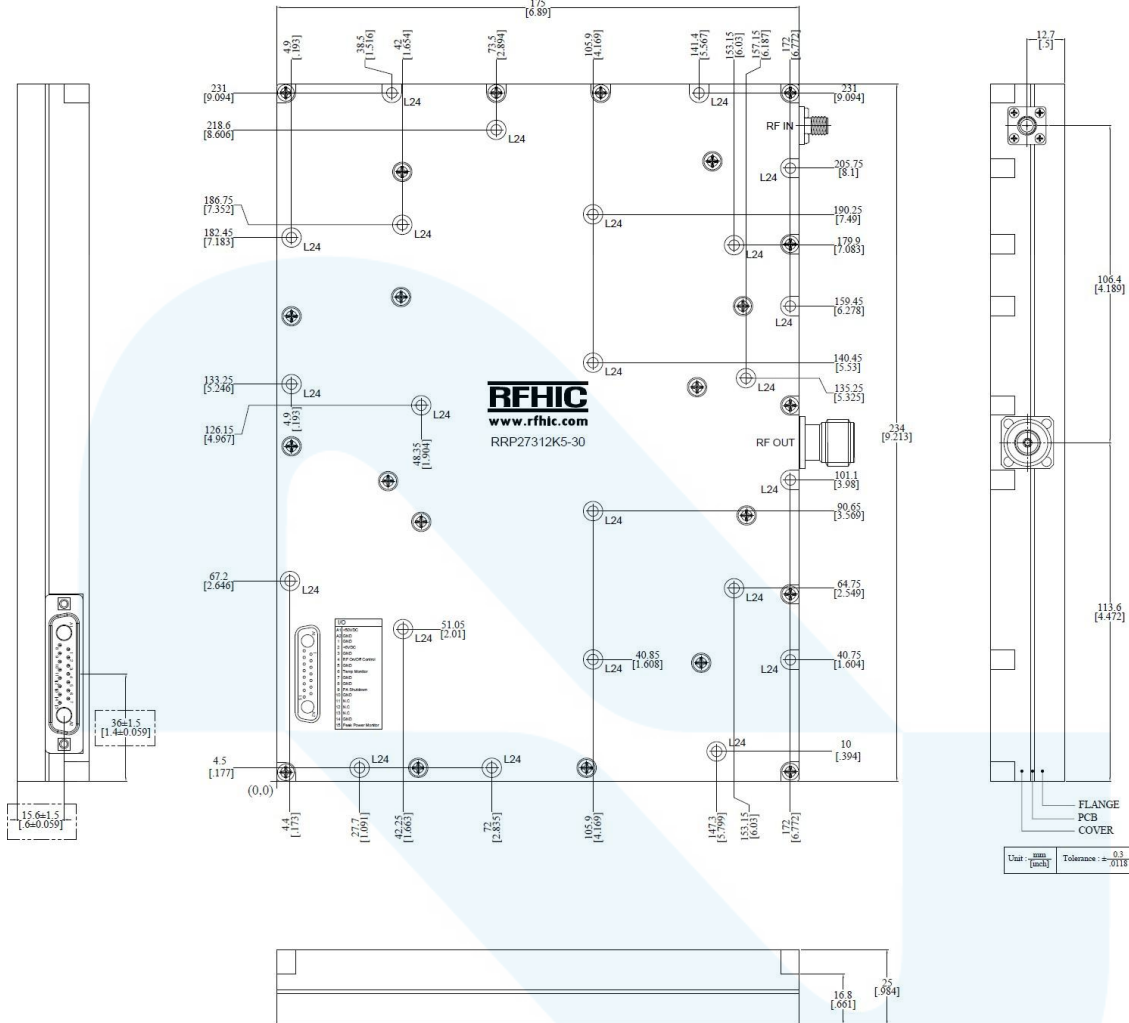
PARAMETER	UNIT	TYP
Mass	kg	2.5(TBD)
Dimension	mm	175x234x25
RF Connector	-	SMA Female: RF Input
		N Female: RF Output
DC Connector	-	17W2 Combo Connector: Supply and Control

# Pulse Amp Pallet RRP27312K5-30



## Outline Drawing

\* Unit: mm[inch] | Tolerance  $\pm 0.3$ [.0118]



## Pin Description

Supply: 17W2 Combo Connector			
Pin No	Description	Pin No	Description
A1	+50VDC (V <sub>DS1</sub> )	8	GND
A2	GND	9	PA Shutdown
1	GND	10	GND
2	+6VDC (V <sub>DS2</sub> )	11	N.C
3	GND	12	N.C
4	Pulse On/Off Control	13	N.C
5	GND	14	GND
6	Temp Monitor	15	Peak Power Monitor
7	GND		

\* Temp Monitor (25°C=0.75V, 0.01V/1°C)

\* Peak Power Monitor (1dB/20mV)

# Pulse Amp Pallet

## RRP27312K5-30



### Revision History

Part Number	Release Date	Version	Modification	Data Sheet Status
RRP27312K5-30	2016.07.15	0.1	-	Preliminary
RRP27312K5-30	2017.11.20	0.2	-	Preliminary
RRP27312K5-30	2019.01.21	0.3	-	Preliminary
RRP27312K5-30	2019.02.19	0.4	-	Preliminary
RRP27312K5-30	2019.05.15	0.5	-	Preliminary
RRP27312K5-30	2020.09.11	1.0	Footer Email Change, Korean to HQ	Production
RRP27312K5-30	2026.02.09	1.1	Modified due to form change	Production
RRP27312K5-30	2026.04.14	1.2	Spec correction update	Production



### Certification

This product is manufactured by a company that is certified for the AS9100D quality management system.

RFHIC Corporation reserves the right to make changes to any products herein or to discontinue any product at any time without notice. While product specifications have been thoroughly examined for reliability, RFHIC Corporation strongly recommends buyers to verify that the information they are using is accurate before ordering. RFHIC Corporation does not assume any liability for the suitability of its products for any particular purpose, and disclaims any and all liability, including without limitation consequential or incidental damages. RFHIC products are not intended for use in life support equipment or application where malfunction of the product can be expected to result in personal injury or death. Buyer uses or sells such products for any such unintended or unauthorized application, buyer shall indemnify, protect, and hold RFHIC Corporation and its directors, officers, stockholders, employees, representatives and distributors harmless against any and all claims arising out of such unauthorized use. All sales inquiries and support should be directed to the local authorized geographic distributor for RFHIC Corporation. For customers in the US, please contact the US sales team through our website at <https://www.rfhicusa.com/> For all other inquiries, please contact our international sales team through our website portal at <https://rfhic.com/contact/>